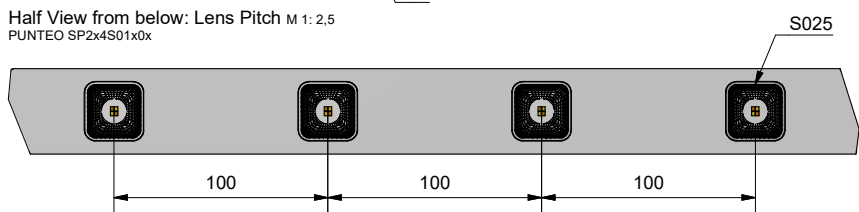
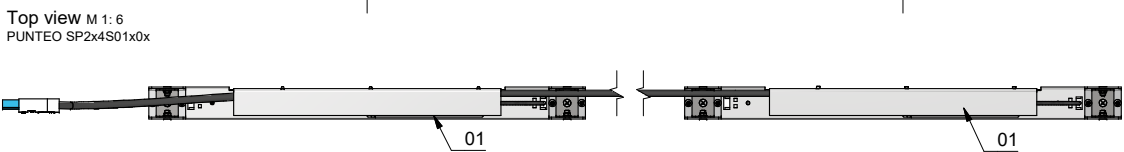
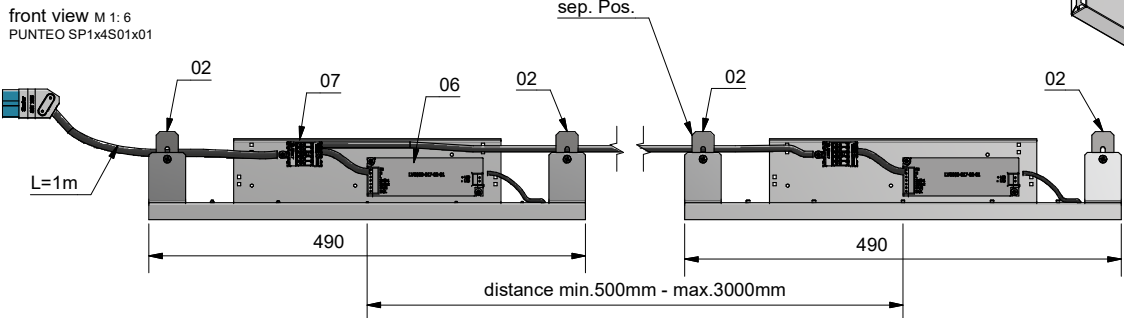
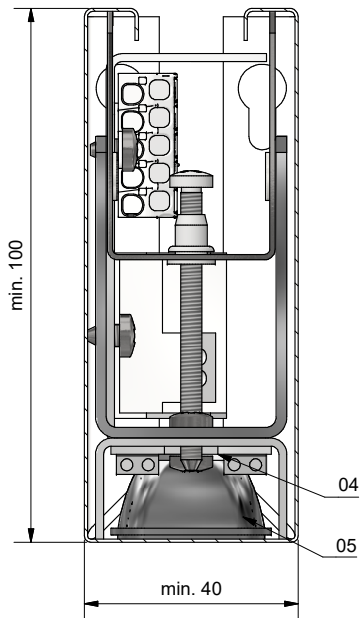


PUNTEO SP 2x4 S01: integration in Polylam ceiling Modul



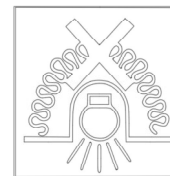
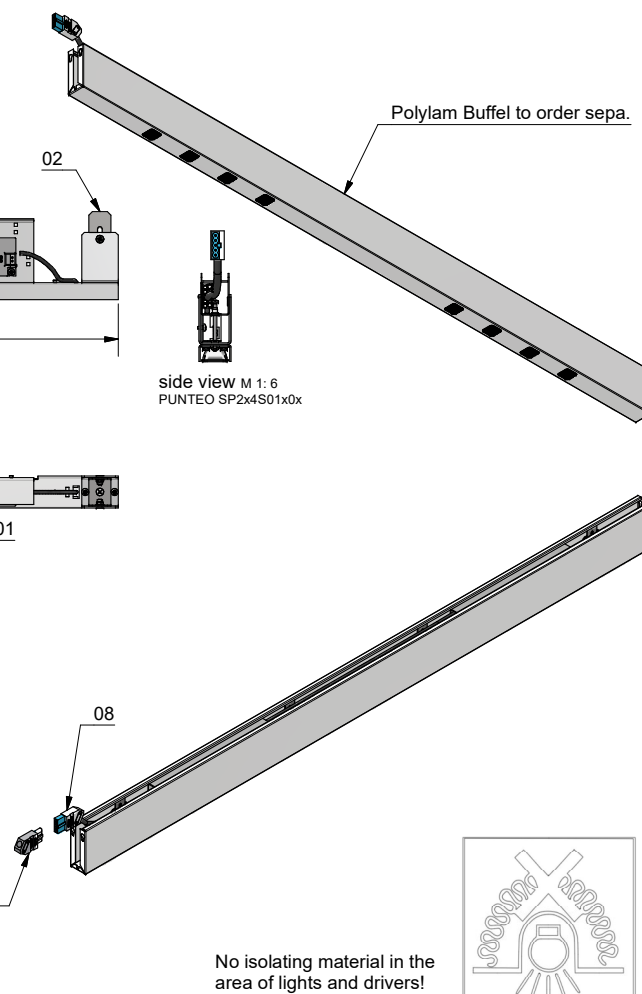
detail view M 1:1
PUNTEO SP2x4S01x0x



02 Mounting clamp bracket unit: advertised separately for the desired Polylam Buffel Height!

09 to order sepa. optional

side view M 1:6
PUNTEO SP2x4S01x0x



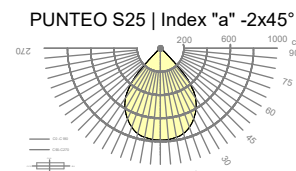
PUNTEO® - SP2x1x4 - S01

POINT | Integration in Polylam Buffel

- Ceiling cut-out: assembled by Durlum ceiling system
- Protection class: I
- Degree of protection: IP20
- Ambient temp.: <35°C
- Elektric connection: 230V / 50Hz + Dali
- Accessories: Is factory assembled with clamping technology in Polylam Buffel. Luminaire is delivered plug ready!

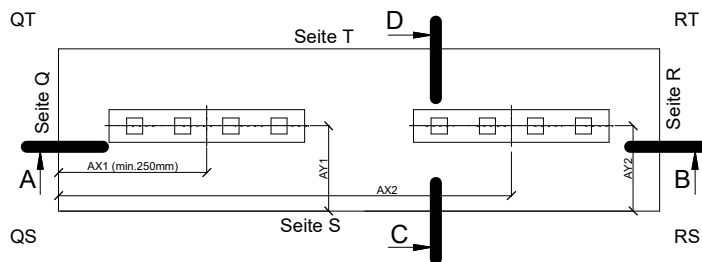


light distribution curve [LDC]



01	LED lighting insert
02	Mounting clamp bracket unit (advertised separately)
03	Polylam Buffel for 8 x S25
04	LED-board
05	Reflector Square 2x45°
06	LED driver
07	Connection terminal 5pol.
08	Male Plug GST15i5 code pastel blue L=1m
09	Female Plug GST 15i5 code pb for on site connection
10	

Technik Stand 2023 - 11	
(techn. Angaben bei Vollast)	
Order number - 4000K	PUNSP2x4S01a01
Order number - 3000K	PUNSP2x4S01a02
Order number - 2700 / 5000K	PUNSP2x4S01a03
L x W x Height [mm]	2x 490 x 36 x 91
Surface	natural anodized
Light Modul Weight [kg - aprox.]	2 x 1,5
Light distribution	2 x 45°
Colour rendering index CRI	> 80
LED lumen [@ 350mA] 4x4 LEDs	2 x 2176 lm @ 4000K 2 x 2032 lm @ 3000K
Light output ration - LOR [%]	91%
Total Power [W]	32
Dali Adress / LED-Driver	1 / 1 tunable white: 2/2
elektric connection	Stecker GST15i5 code pastelblau (230V / 50Hz +Dali)
Modul PUNSP2x4-S01 per circuit breaker @ C13 / B13	14 / 8 tunable white 7 / 4



Stand 22.11.23

Approved:		
POINT PUNTEO SP 2x1x4 S01 durlum technical documents		
DIN ISO 9001 cert. no. 1000000000 Reg. No. 10 000 000	date drw. 22.11.2023 rev. M %	name probst probst format A3
integration in Metal Polylams		durlum GmbH 79650 Schopfleim Germany Tel. 0949 7622 39050 Email info@durlum.de

This drawing is passed on with all rights reserved to durlum and must ONLY be used for common purpose projects. Transmission to third parties especially competitors is prohibited! durlum GmbH

Please refer to the general instructions for the operation