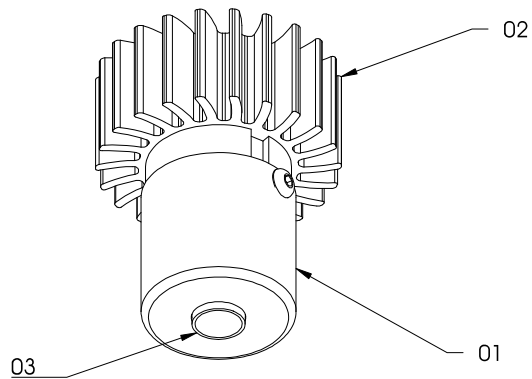
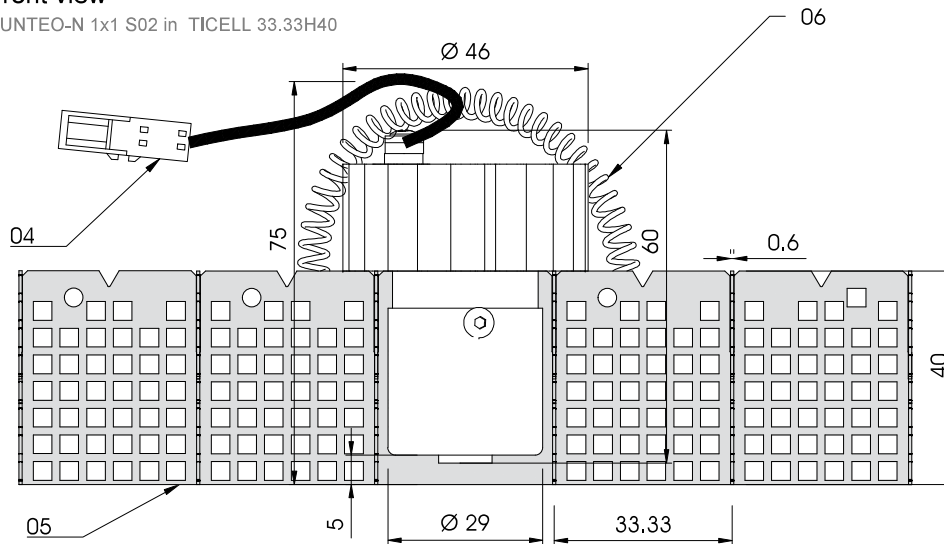


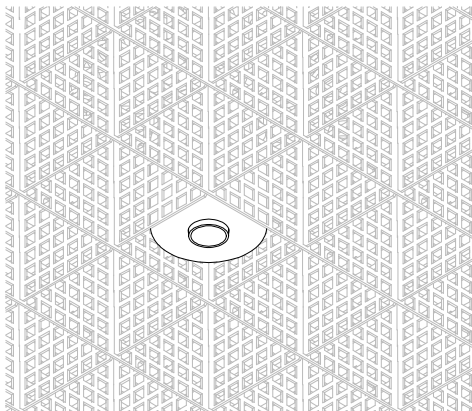
3D view
PUNTEO N 1x1 S02



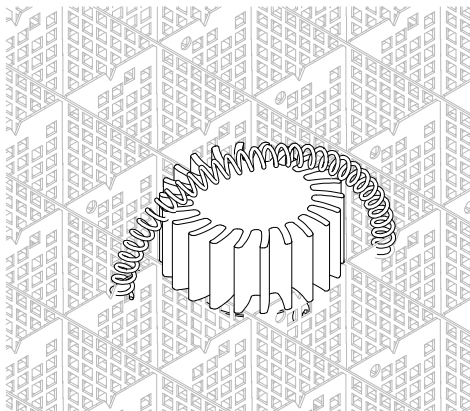
Front view
PUNTEO-N 1x1 S02 in TICELL 33.33H40



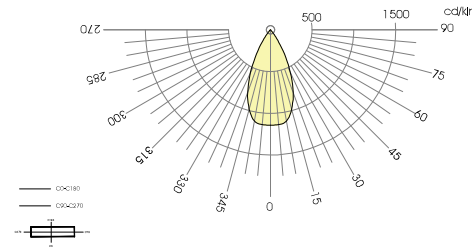
Bottom view
PUNTEO-N 1x1 S02 in TICELL 33.33H40



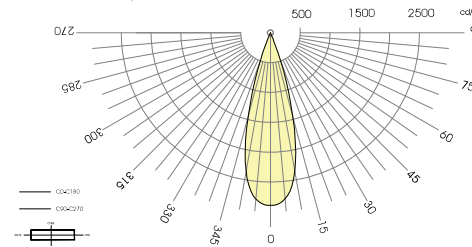
Top view
PUNTEO-N 1x1 S02 in TICELL 33.33H40



Light distribution curve [LDC]
PUNTEO N | Index "a" - 2 x 38°



Light distribution curve [LDC]
PUNTEO N | Index "b" - 2 x 20°



PUNTEO®-N 1x1 - S 02 POINT | TICELL 33.33H40

for tool-free integration in durlum open cell ceiling
Cell size x height: 30 ... 33 x 30 mm | t = 0,6 mm
Other cell sizes require a module adapter [separate item]

Light distribution [please select option] :

- a - 2 x 38° | sym. wide beam | LOR 75 %
- b - 2 x 20° | sym. narrow beam | LOR 70 %

LED [please select option] :

- 01 - 4,000 K | 8 W | 905 lm | CRI > 80
- 02 - 3,000 K | 8 W | 850 lm | CRI > 80
- 03 - 2,700 K / 5,000 K | 900 lm | 8 W | CRI > 80
- 04 - 2,700 K | 600 lm | 8 W | CRI > 90
- 05 - 3,000 K | 640 lm | 8 W | CRI > 90

Surface [please select option] :

- A - black matt - anodized [standard]
- B - white - RAL 9016, matt
- C - white - RAL 9010, matt

Dimension Ø x H : 46 x 60 mm
Installation height : 75 mm

Protection class: III [light fitting without LED driver]
Protection system: IP 20

Life Time: Average L80 [Ta 25 °C] > 50,000 h

Electrical connection:

Plug 2-pin - L = 0,5 m - to connect with separate LED driver unit [not included]

Note:

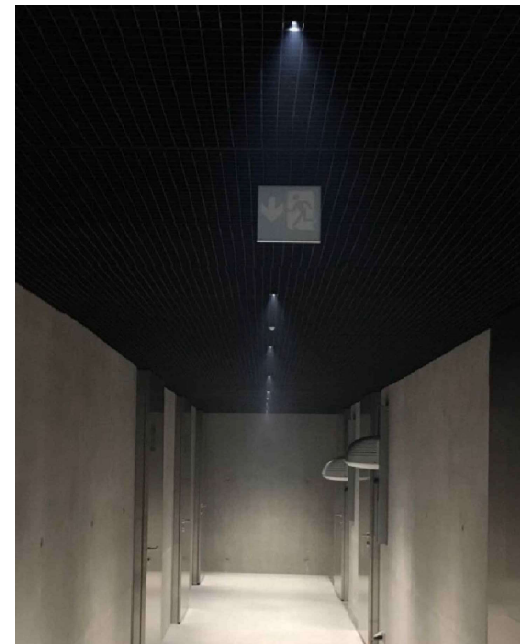
LED driver unit and mounting accessories must be ordered separately.

Order number for example

5-PUN N 1x1 S02a 01 A

5-PUN N - order group for Punteo N
1x1 - single light fitting [1 "point"]
S02 - System 02
for cell height 40 mm

a - light distribution - 2 x 38°
01 - light colour - 4,000 K
A - Colour - black



01	Housing
02	Heatsink
03	Elliptical lens system
04	Plug system to ballast [ballast separate item]
05	TICELL - open cell ceiling
06	Mounting spring for fixing in the ceiling
07	...
08	...
09	...

Approved

DIN ISO 9001 certified dur lum GmbH Schopfheim, Germany	PUNTEO®-N 1x1 - S02 Integration in open cell ceiling system		dur lum GmbH 79650 Schopfheim Germany Tel. 0049 7622 39050 info@dur lum.de
	dur lum technical documents		
Date	Name	PUNTEO-N 1x1 S02 for TICELL 33,33H40	
25.02.2025	EM		
		PUNTEO-N1x1-S02_P4	