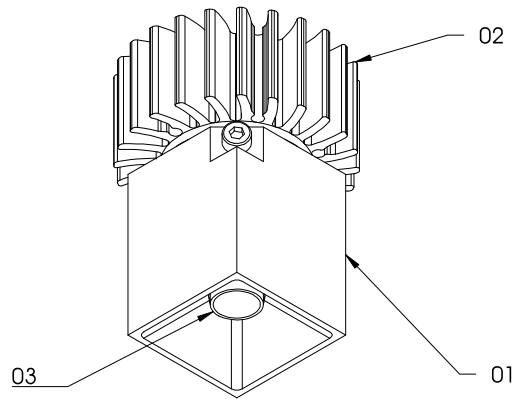
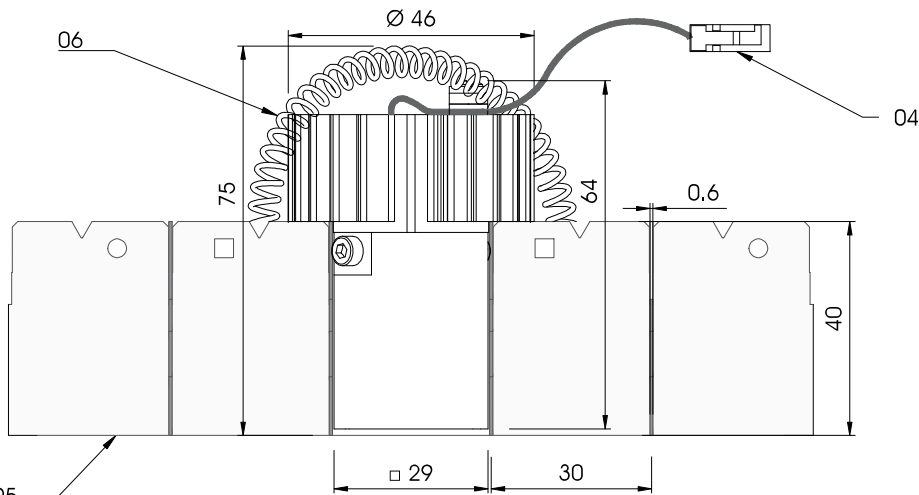


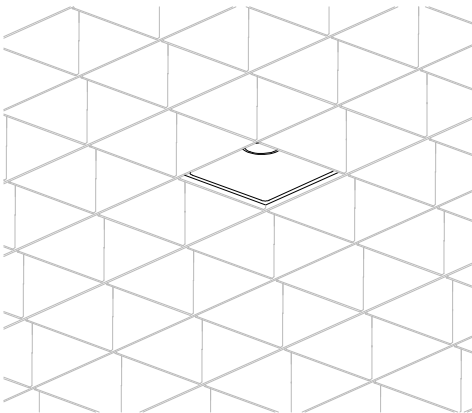
3D view
PUNTEO-N 1x1 S07



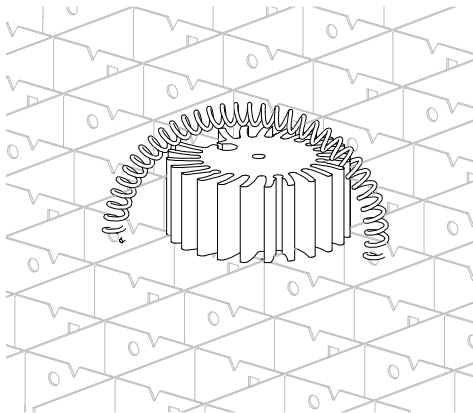
Front view
PUNTEO-N 1x1 S07 in Quadra 30H40



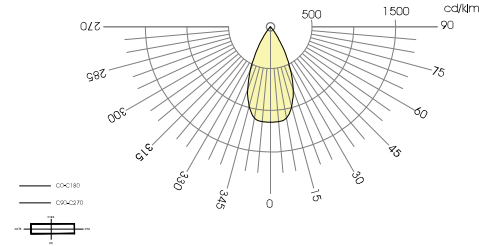
Bottom view
PUNTEO-N 1x1 S07 in Quadra 30H40



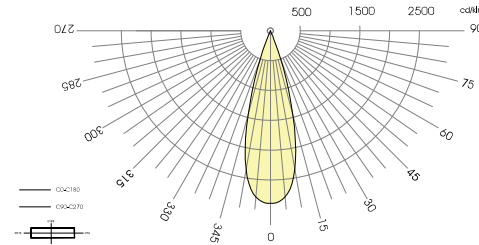
Top view
PUNTEO-N 1x1 S07 in Quadra 30H40



Light distribution curve [LDC]
PUNTEO N | Index "a" - 2 x 38°



Light distribution curve [LDC]
PUNTEO N | Index "b" - 2 x 20°



PUNTEO®-N 1x1 - S 07 POINT | QUADRA 30H40

for tool-free integration in durlum open cell ceiling
Cell size x height: 30 ... 33 x 30 mm | t = 0,6 mm
Other cell sizes require a module adapter [separate item]

- Light distribution [please select option] :**
- a - 2 x 38° | sym. wide beam | LOR 75 %
 - b - 2 x 20° | sym. narrow beam | LOR 70 %

- LED [please select option] :**
- 01 - 4,000 K | 8 W | 905 lm | CRI > 80
 - 02 - 3,000 K | 8 W | 850 lm | CRI > 80
 - 03 - 2,700 K / 5,000 K | 900 lm | 8 W | CRI > 80
 - 04 - 2,700 K | 600 lm | 8 W | CRI > 90
 - 05 - 3,000 K | 640 lm | 8 W | CRI > 90

- Surface [please select option] :**
- A - black matt - anodized [standard]
 - B - white - RAL 9016, matt
 - C - white - RAL 9010, matt

Dimension Ø x H : 46 x 64 mm
Installation height : 75 mm

Protection class: III [light fitting without LED driver]
Protection system: IP 20

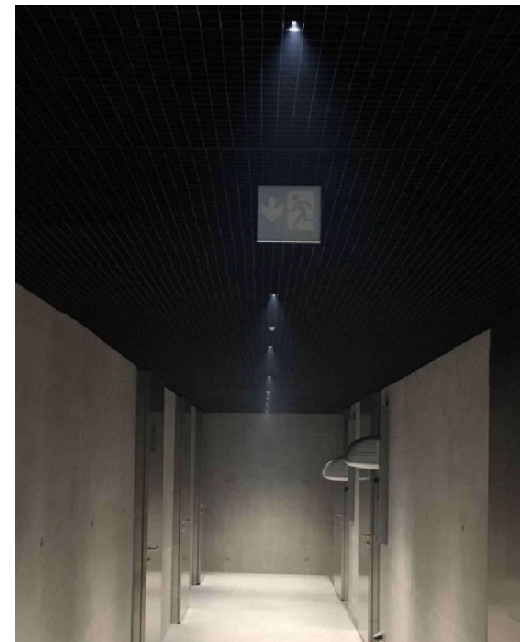
Life Time: Average L80 [Ta 25 °C] > 50,000 h

Electrical connection:
Plug 2-pin - L = 0,5 m - to connect with separate LED driver unit [not included]

Note:
LED driver unit and mounting accessories must be ordered separately.

Order number for example
5-PUN N 1x1 S07a 01 A

- 5-PUN N - order group for Punteo N
- 1x1 - single light fitting [1 "point"]
- S02 - System 07
for cell height 40 mm
- a - light distribution - 2 x 38°
- 01 - light colour - 4,000 K
- A - Colour - black

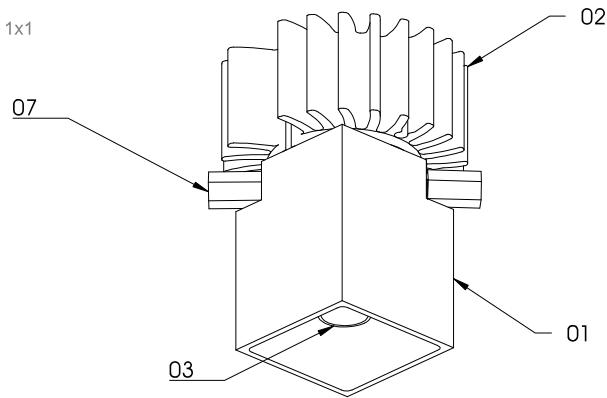


01	Housing
02	Heatsink
03	Elliptical lens system
04	Plug system to ballast [ballast separate item]
05	QUADRA - open cell ceiling
06	Mounting spring for fixing in the ceiling
07	...
08	...
09	...

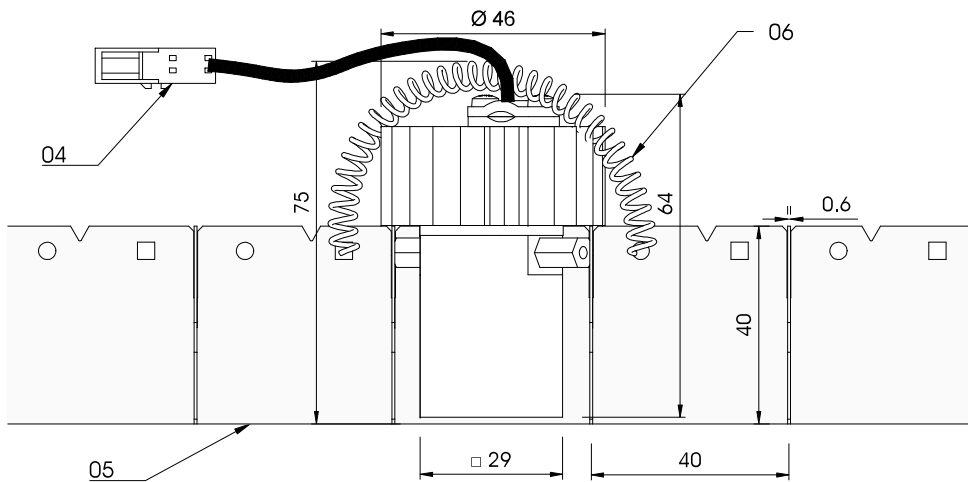
Approved

DIN ISO 9001 certified according to DIN EN ISO 9001:2015	PUNTEO®-N 1x1 - S07 Integration in open cell ceiling system		durlum durlum GmbH 79650 Schopphelm Germany Tel. 0049 7622 39050 info@durlum.de
	durlum technical documents		
Date	Name	PUNTEO-N 1x1 S07 for QUADRA 30H40	
25.02.2025	EM		
			PUNTEO-N1x1-S07_P1

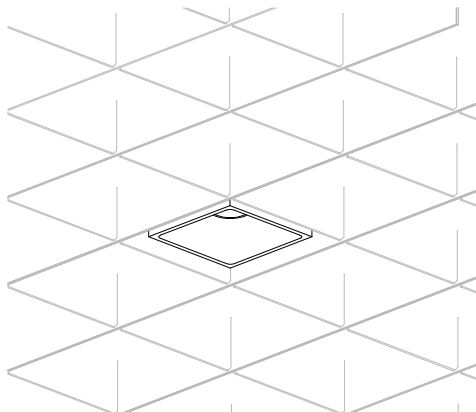
3D view
PUNTEO-N S07 1x1



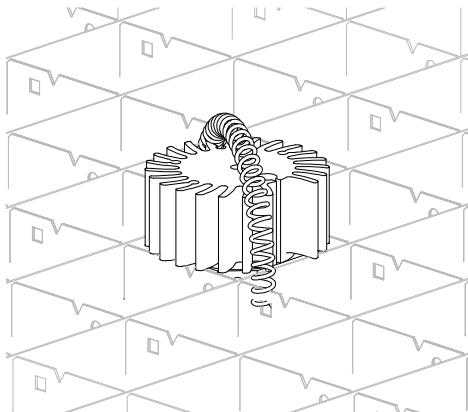
Front view
PUNTEO-N 1x1 S07 in Quadra 40H40



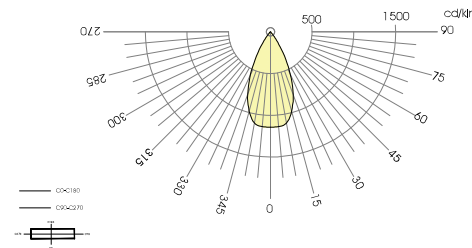
Bottom view
PUNTEO-N 1x1 S07 in Quadra 40H40



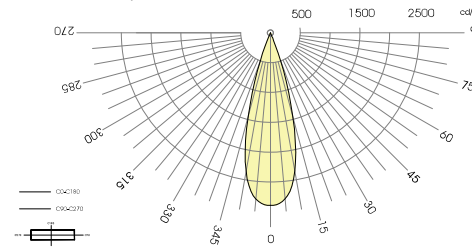
Top view
PUNTEO-N 1x1 S07 in Quadra 40H40



Light distribution curve [LDC]
PUNTEO N | Index "a" - 2 x 38°



Light distribution curve [LDC]
PUNTEO N | Index "b" - 2 x 20°



PUNTEO®-N 1x1 - S 07 POINT | QUADRA 40H40

for tool-free integration in durlum open cell ceiling
Cell size x height: 30 ... 33 x 30 mm | t = 0,6 mm
Other cell sizes require a module adapter [separate item]

- Light distribution [please select option] :**
- a - 2 x 38° | sym. wide beam | LOR 75 %
 - b - 2 x 20° | sym. narrow beam | LOR 70 %

- LED [please select option] :**
- 01 - 4,000 K | 8 W | 905 lm | CRI > 80
 - 02 - 3,000 K | 8 W | 850 lm | CRI > 80
 - 03 - 2,700 K / 5,000 K | 900 lm | 8 W | CRI > 80
 - 04 - 2,700 K | 600 lm | 8 W | CRI > 90
 - 05 - 3,000 K | 640 lm | 8 W | CRI > 90

- Surface [please select option] :**
- A - black matt - anodized [standard]
 - B - white - RAL 9016, matt
 - C - white - RAL 9010, matt

Dimension Ø x H : 46 x 64 mm
Installation height : 75 mm

Protection class: III [light fitting without LED driver]
Protection system: IP 20

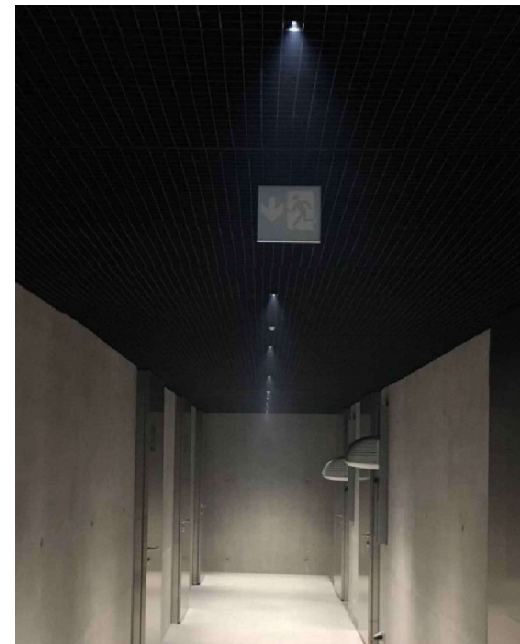
Life Time: Average L80 [Ta 25 °C] > 50,000 h

Electrical connection:
Plug 2-pin - L = 0,5 m - to connect with separate LED driver unit [not included]

Note:
LED driver unit and mounting accessories must be ordered separately.

Order number for example
5-PUN N 1x1 S07a 01 A

- 5-PUN N - order group for Punteo N
- 1x1 - single light fitting [1 "point"]
- S02 - System 07
for cell height 40 mm
- a - light distribution - 2 x 38°
- 01 - light colour - 4,000 K
- A - Colour - black

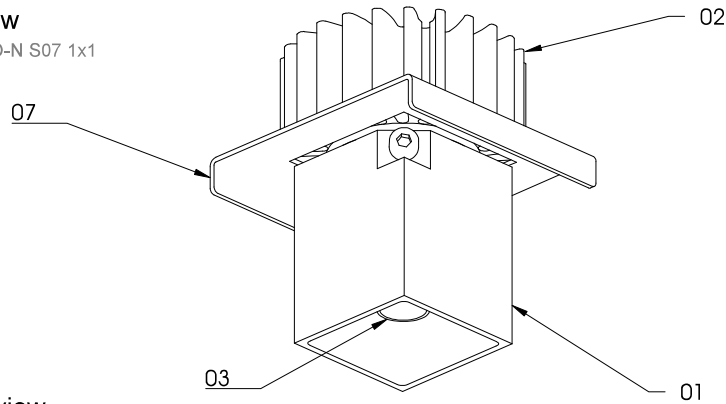


01	Housing
02	Heatsink
03	Elliptic lens system
04	Plug system to ballast [ballast separate item]
05	QUADRA - open cell ceiling
06	Mounting spring for fixing in the ceiling
07	Module adapter [distance bolts] - sep. item
Order no. : # 5-PN1x1Q40HXX-A1	
Colour: galvanized	

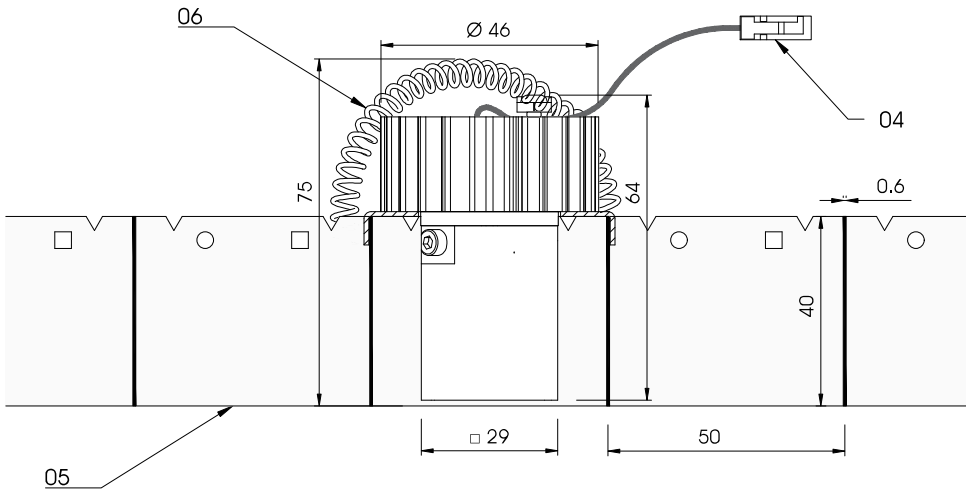
Approved

DIN EN ISO 9001 certifiziert nach DIN EN ISO 9001:2015 www.durlum.de		PUNTEO®-N 1x1 - S07 Integration in open cell ceiling system durlum technical documents	dur lum GmbH 79650 Schopphelm Germany Tel. 0049 7622 39050 info@durlum.de
Date	Name		
25.02.2025	EM	PUNTEO-N 1x1 S07 for QUADRA 40H40	PUNTEO-N1x1-S07_P2

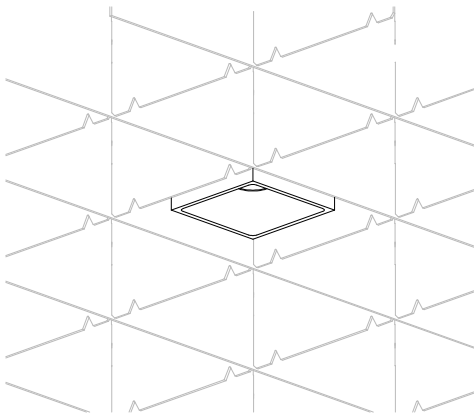
3D view
PUNTEO-N S07 1x1



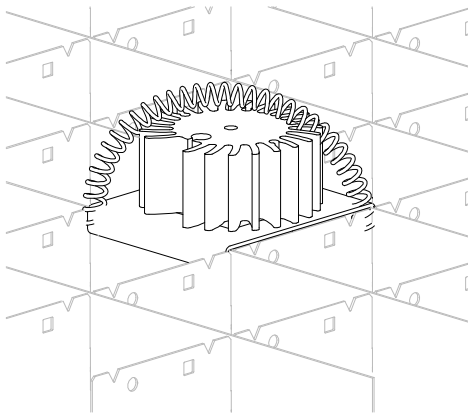
Front view
PUNTEO-N 1x1 S07 in Quadra 50H40



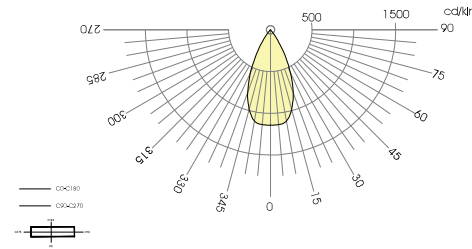
Bottom view
PUNTEO-N 1x1 S07 in Quadra 50H40



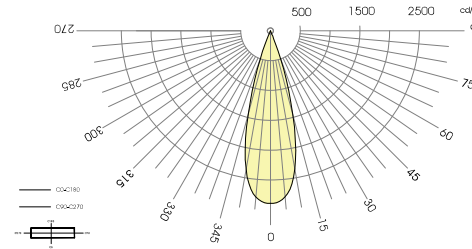
Top view
PUNTEO-N 1x1 S07 in Quadra 50H40



Light distribution curve [LDC]
PUNTEO N | Index "a" - 2 x 38°



Light distribution curve [LDC]
PUNTEO N | Index "b" - 2 x 20°



PUNTEO®-N 1x1 - S 07 POINT | QUADRA 50H40

for tool-free integration in durlum open cell ceiling
Cell size x height: 30 ... 33 x 30 mm | t = 0,6 mm
Other cell sizes require a module adapter [separate item]

Light distribution [please select option] :
 a - 2 x 38° | sym. wide beam | LOR 75 %
 b - 2 x 20° | sym. narrow beam | LOR 70 %

LED [please select option] :
 01 - 4,000 K | 8 W | 905 lm | CRI > 80
 02 - 3,000 K | 8 W | 850 lm | CRI > 80
 03 - 2,700 K / 5,000 K | 900 lm | 8 W | CRI > 80
 04 - 2,700 K | 600 lm | 8 W | CRI > 90
 05 - 3,000 K | 640 lm | 8 W | CRI > 90

Surface [please select option] :
 A - black matt - anodized [standard]
 B - white - RAL 9016, matt
 C - white - RAL 9010, matt

Dimension Ø x H : 46 x 64 mm
Installation height : 75 mm

Protection class: III [light fitting without LED driver]
Protection system: IP 20

Life Time: Average L80 [Ta 25 °C] > 50,000 h

Electrical connection:
Plug 2-pin - L = 0,5 m - to connect with separate LED driver unit [not included]

Note:
LED driver unit and mounting accessories must be ordered separately.

Order number for example
5-PUN N 1x1 S07a 01 A

5-PUN N - order group for Punteo N
1x1 - single light fitting [1 "point"]
S02 - System 07
for cell height 40 mm
a - light distribution - 2 x 38°
01 - light colour - 4,000 K
A - Colour - black



01	Housing
02	Heatsink
03	Elliptical lens system
04	Plug system to ballast [ballast separate item]
05	QUADRA - open cell ceiling
06	Mounting spring for fixing in the ceiling
07	Module adapter - sep. item
	Order no. - black : # 5-PN1x1Q50QXX-A1
	Order no. - white : # 5-PN1x1Q50QXX-B1
	other colours possible - "#-X1"

Approved

DIN EN ISO 9001 durlum GmbH Schopphelm, Germany		PUNTEO®-N 1x1 - S07 Integration in open cell ceiling system durlum technical documents		dur lum GmbH 79650 Schopphelm Germany Tel. 0049 7622 39050 info@dur lum.de
Date	Name	PUNTEO-N 1x1 S07 for QUADRA 50H40		
25.02.2025	EM			PUNTEO-N1x1-S07_P3